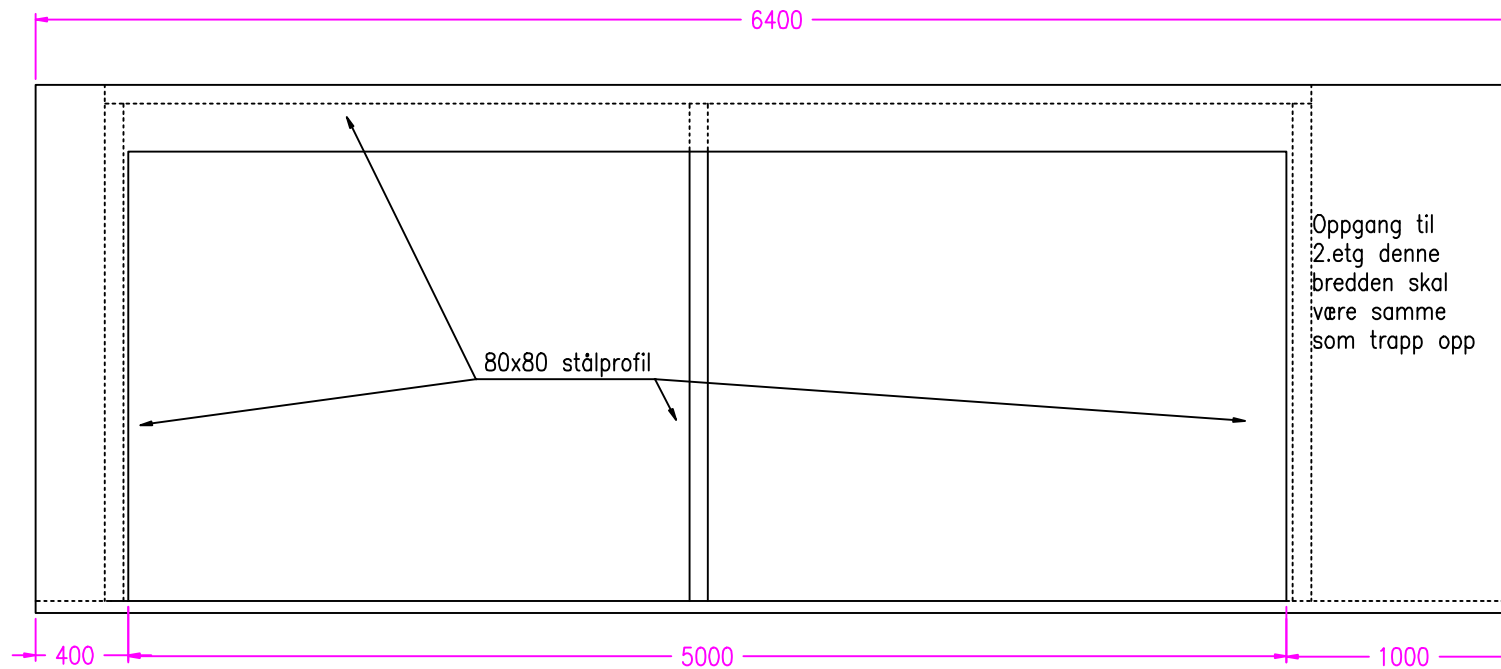


This drawing remains the property of Scanvogn A/S. Any reproduction in part, or as a whole without the written permission of Scanvogn A/S is prohibited.				
Drawing:	1851385	Beskrivelse:	660 - Skyliner	
Rev. State:	Rev. No:	Description:		
TILBUD				
Approved by:	Creator:	BRH	Filename:	Weight [Kg]:
Date:	Date:	030510	1850842	3500
Scanvogn A/S - Hovedvejen 50 - 9850 (DK) Hirtshals - info@scanvogn.dk - Tlf. +45 98 97 72 00 - Fax +45 98 97 82 00				

scanvogn



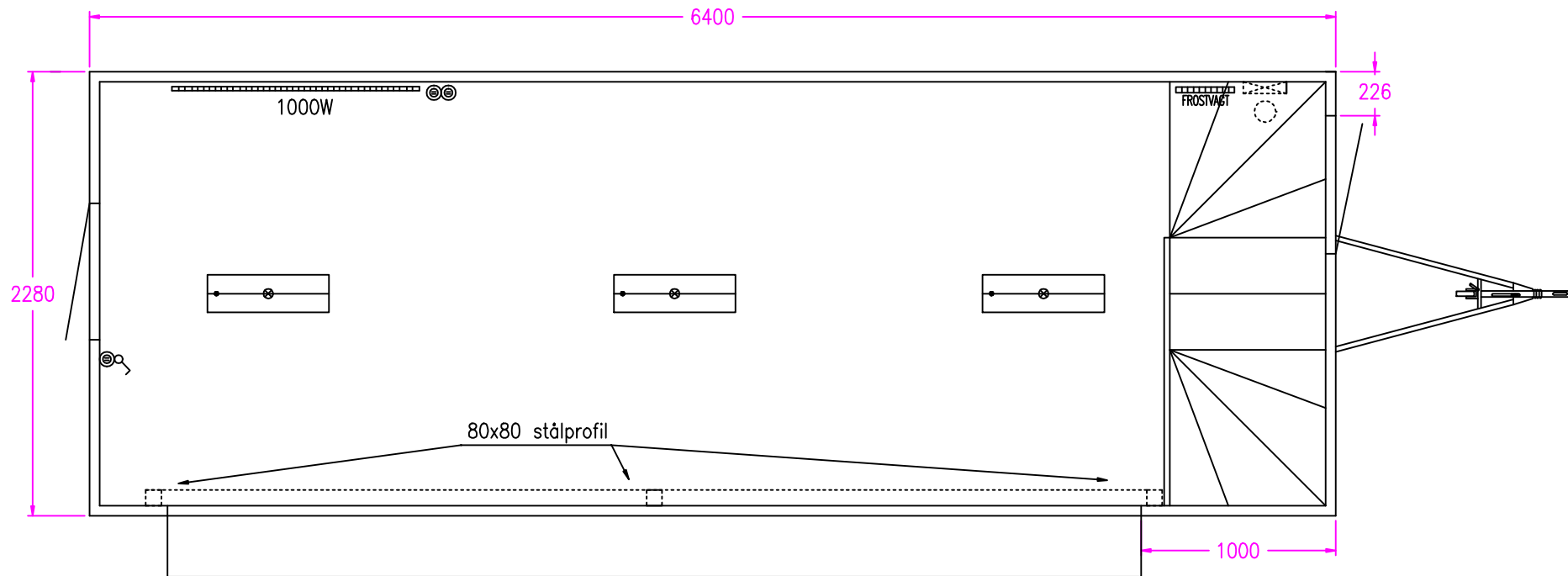
Luke skal kunne åpnes i sin helhet og skape et tak til rom i første etg, videre skal det være trapper i hele lengden på luken.

This drawing remains the property of Scanvogn A/S. Any reproduction in part, or as a whole without the written permission of Scanvogn A/S is prohibited.

Drawing:	1851385	Beskrivelse:	660 - Skyliner		
Rev. State:	Rev. No:	Description:			
TILBUD					
Approved by:	Creator:	BRH	Filename:	Note:	Weight [Kg]:
Date:	Date:	030510	1850842		3500

Scanvogn A/S - Hovedvejen 50 - 9850 (DK) Hirtshals - info@scanvogn.dk - Tlf. +45 98 97 72 00 - Fax +45 98 97 82 00

scanvogn



230V indtag
1000W radiator
Stor salgsklap

This drawing remains the property of Scanvogn A/S. Any reproduction in part, or as a whole without the written permission of Scanvogn A/S is prohibited.				
Drawing:	1851385	Beskrivelse:	660 - Skyliner	
Rev. State:	Rev. No:	Description:		
TILBUD				
Approved by:	Creator:	BRH	Filename:	Weight [Kg]:
Date:	Date:	030510		3500
Scanvogn A/S - Hovedvejen 50 - 9850 (DK) Hirtshals - info@scanvogn.dk - Tlf. +45 98 97 72 00 - Fax +45 98 97 82 00				

scanvogn